

4-2023

Wheelie Clean Utility Table

Jacqueline Doto, OTS

Phoebe Perkins, OTS

Kyndall Scheffey, OTS

Jacob Rodriguez, IDS

Michael Leonard, MA.Ed, MS.Ed, IDSA

Follow this and additional works at: <https://jdc.jefferson.edu/id>



Part of the [Industrial and Product Design Commons](#), and the [Occupational Therapy Commons](#)

[Let us know how access to this document benefits you](#)

This Article is brought to you for free and open access by the Jefferson Digital Commons. The Jefferson Digital Commons is a service of Thomas Jefferson University's [Center for Teaching and Learning \(CTL\)](#). The Commons is a showcase for Jefferson books and journals, peer-reviewed scholarly publications, unique historical collections from the University archives, and teaching tools. The Jefferson Digital Commons allows researchers and interested readers anywhere in the world to learn about and keep up to date with Jefferson scholarship. This article has been accepted for inclusion in Program of Industrial Design Posters by an authorized administrator of the Jefferson Digital Commons. For more information, please contact: JeffersonDigitalCommons@jefferson.edu.

Wheelie Clean Utility Table

OTs: Jacqueline Doto, Phoebe Perkins, and Kyndall Scheffey
Industrial Designers: Jacob Rodriguez, Michael Leonard MA.Ed., MS.Ed., IDSA
Instructors: Kimberly S. Mollo, OTD, OTR/L; Michael Leonard, MA.Ed., MS.Ed., IDSA

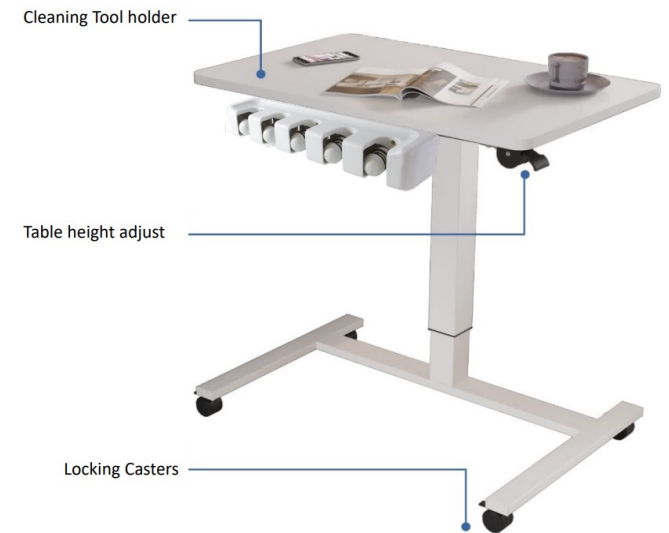
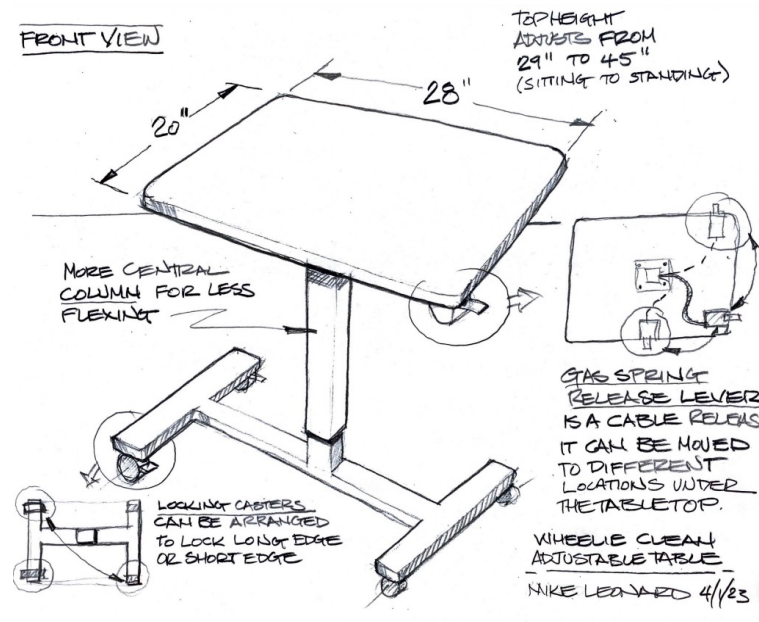
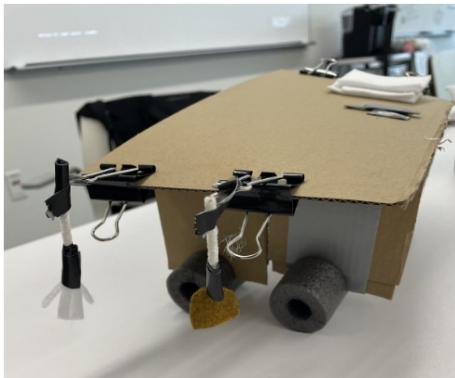
Client Information: M.C.

- 70-year-old woman diagnosed with fibromyalgia
- Lives a very social life and loves hosting events
- Having a tidy house is extremely important to her
- Daily fatigue and wheelchair use often cause difficulty with cleaning her floors and doing things around the house

Universal Design Specifics

- Cleaning supplies: attached & easily removed
- Wheels: standard locking office casters
 - Stem-mounted and provide easy maneuverability
 - Can be replaced with different casters with the same mount if the device does not wheel freely on floor type
 - Low profile = easily storable
- Broad surface for everyday client use such as cooking, keyboarding
- Height adjustable and can be made with one hand
- Works in both sit and stand positions
 - Sitting lower height that coordinates with the wheelchair
 - Standing height is taller to provide a worksurface for any stand-to-clean activity and/or to act as a serving table for entertaining

Prototyping



Role of OT:

- Conducted COPM assessment
- Facilitated communication between M.C. & ID
- Input regarding functionality of device & maintaining client-centered outcome

Role of ID:

- Collaborated with OTs & M.C.
- Designed and built prototypes
- Oversaw funding and poster creation

“I am overwhelmed! Thank you, I have no words. It is so heartwarming to know that you all actually thought about ME when making this product. Thank you so very much, this is perfect and exactly what I need.”

—M.C., upon receiving insight of final product